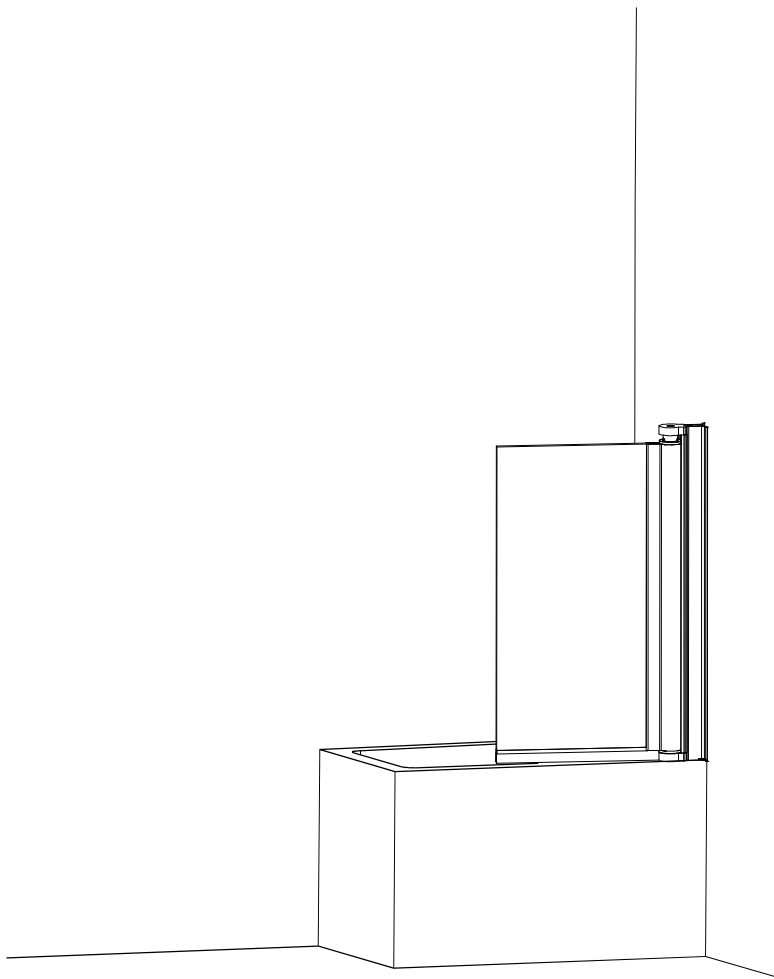




INTERFIT



T

TECHNICAL DATA SHEET

P

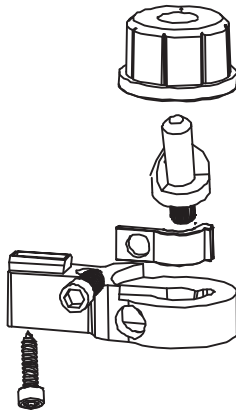
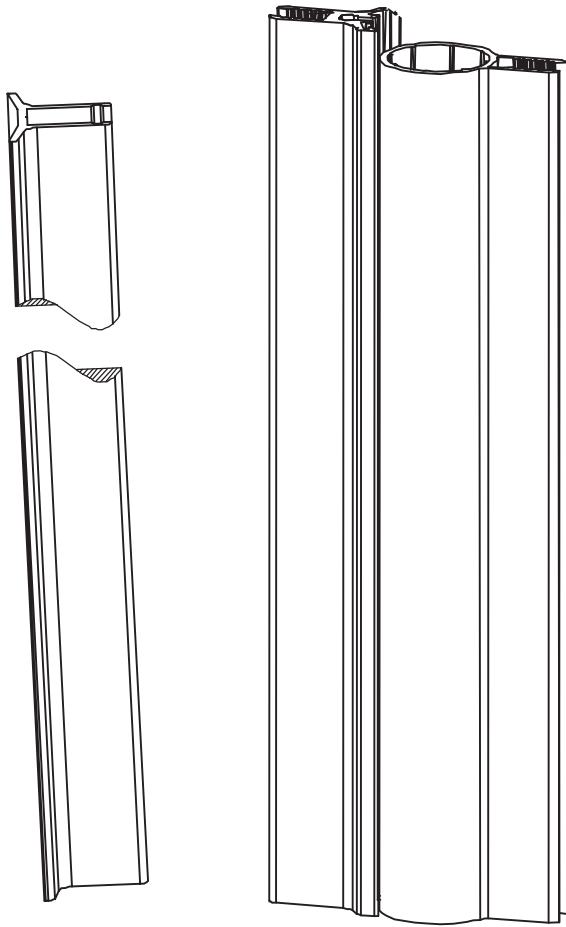
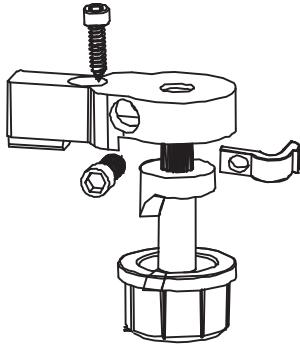
PREPARATION BEFORE
INSTALLATION

I

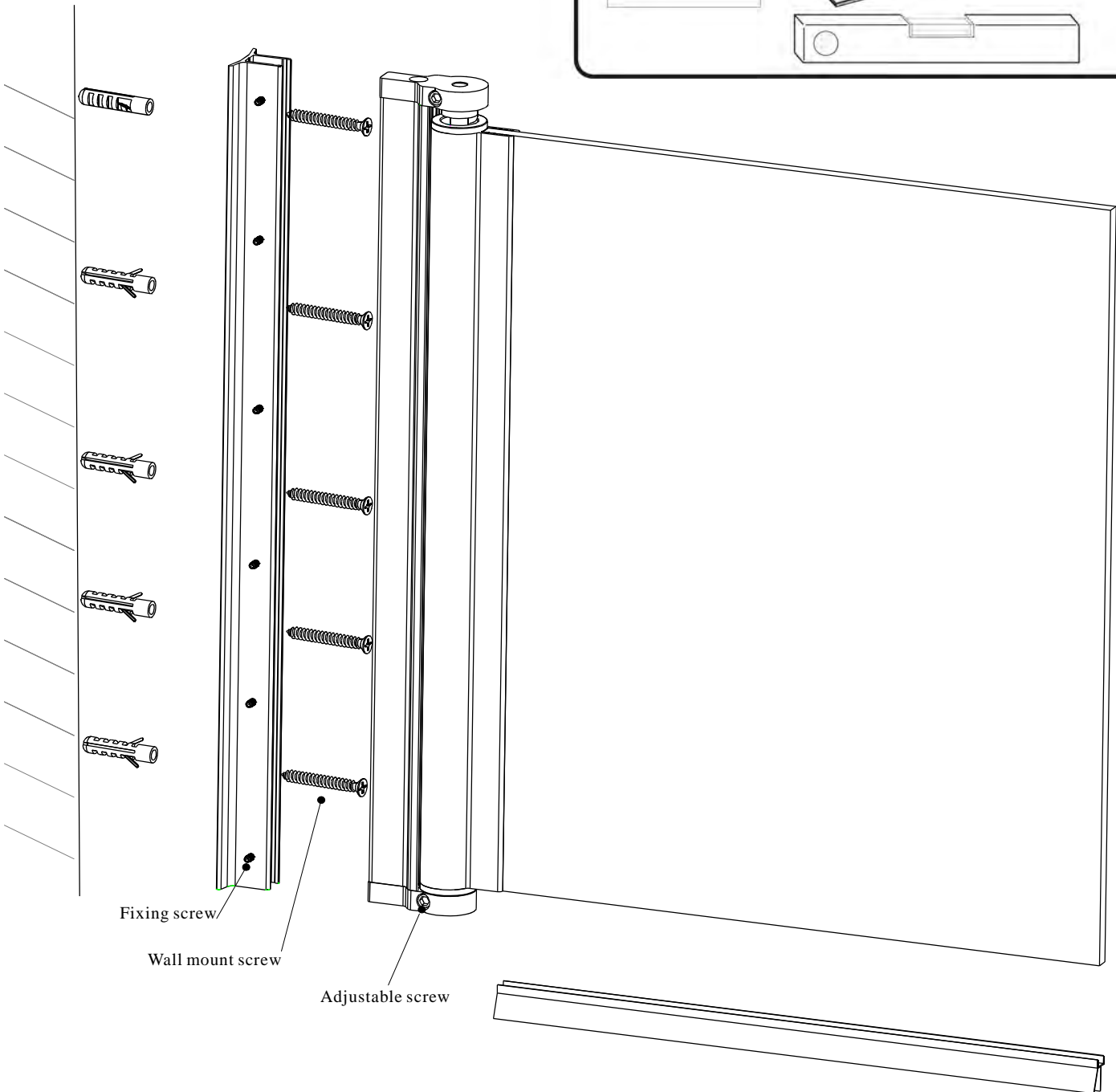
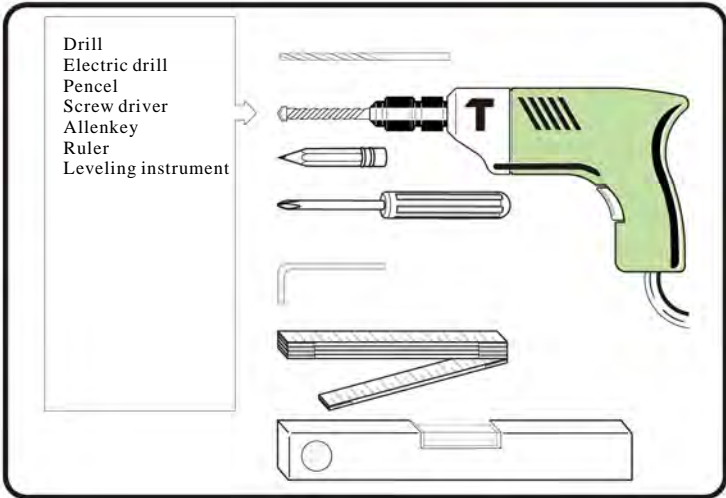
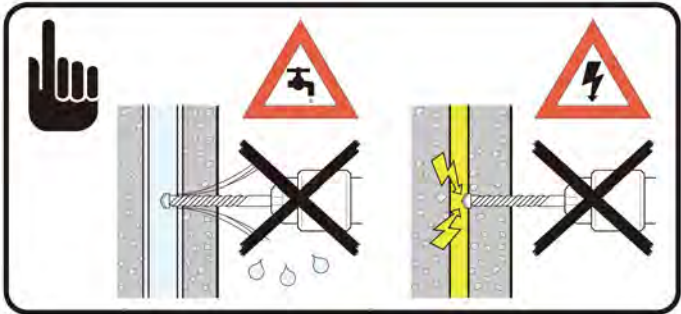
INSTALLATION STEPS



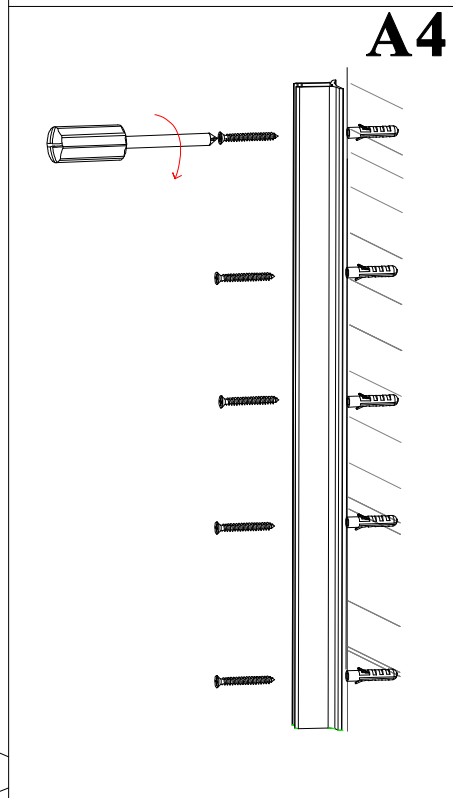
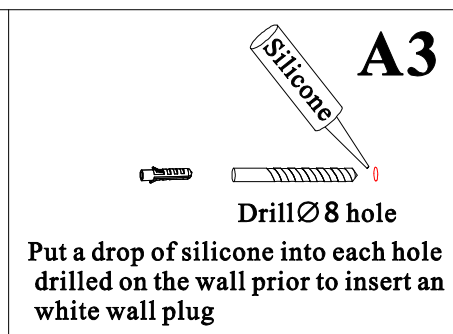
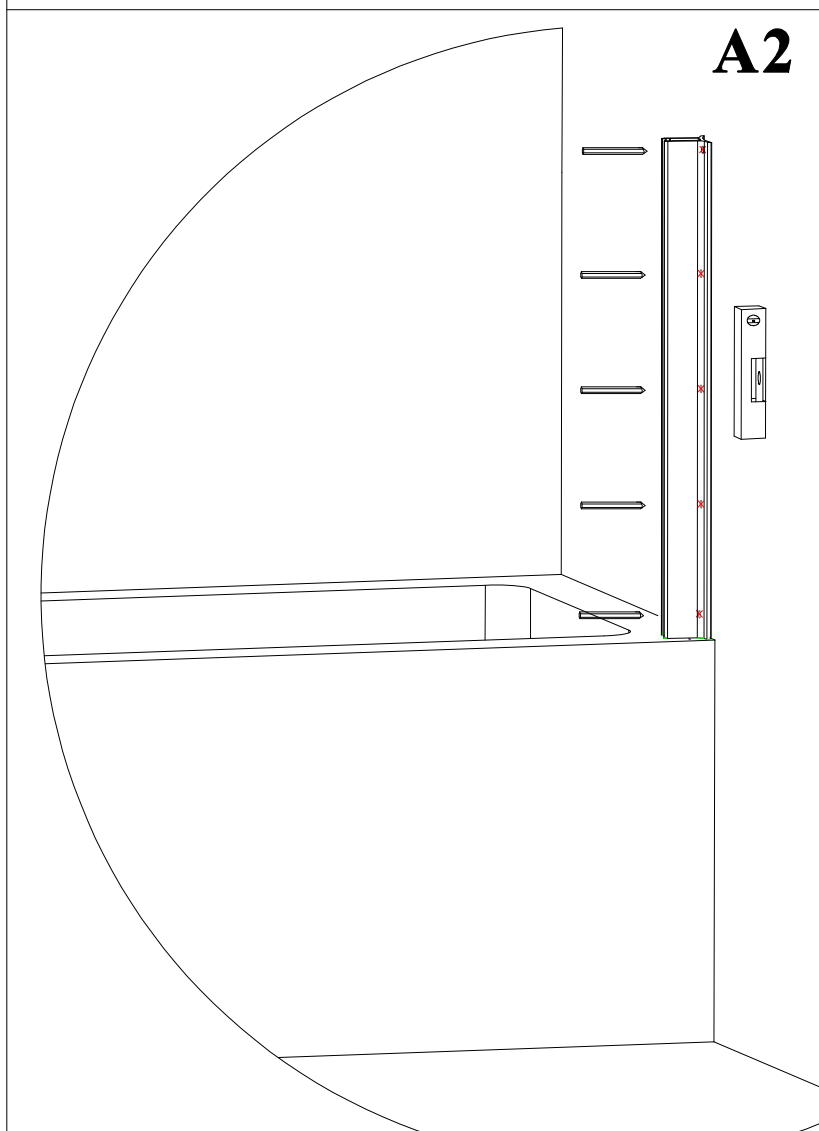
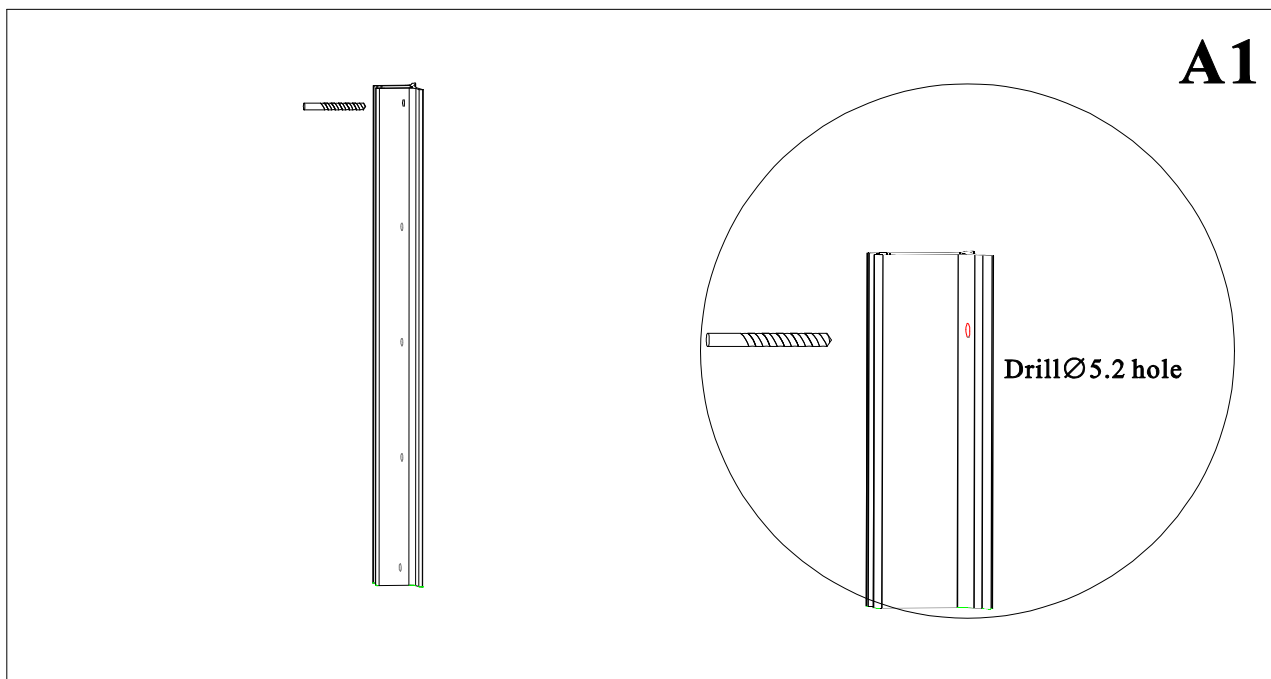
1. Never install unprotected glass edges against a hard foundation.
2. After application/sealing the silicone should not be exposed to water for 24 hours.
3. The shower should be thought of as shower-tight, not watertight. To expose critical points to water under high pressure can result in some leakage.
4. Because of continual product development certain details may differ in the installation instructions.



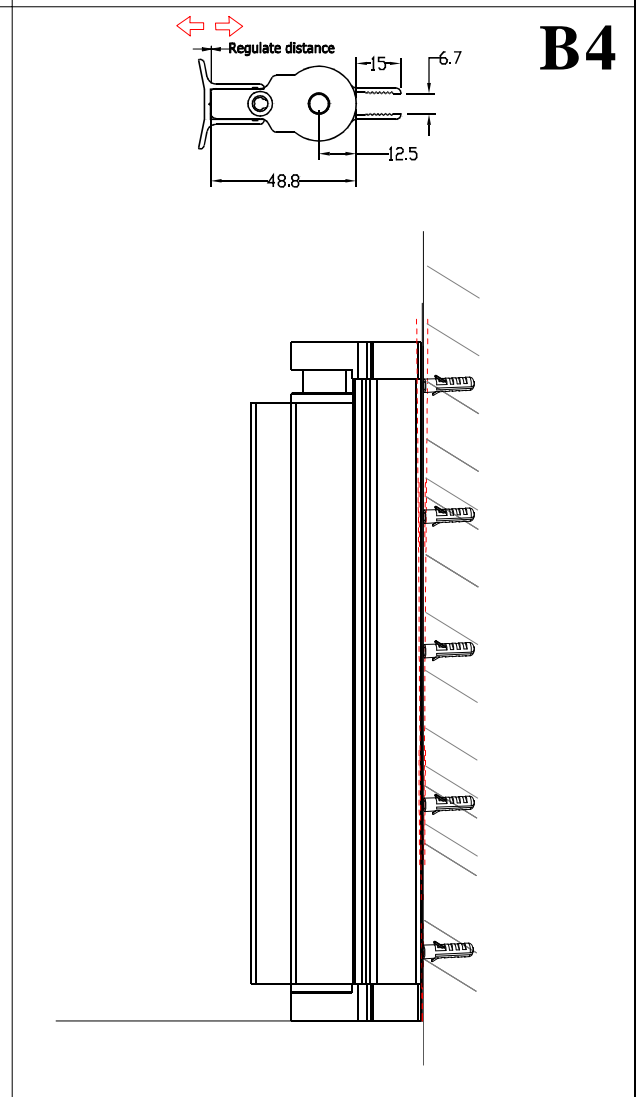
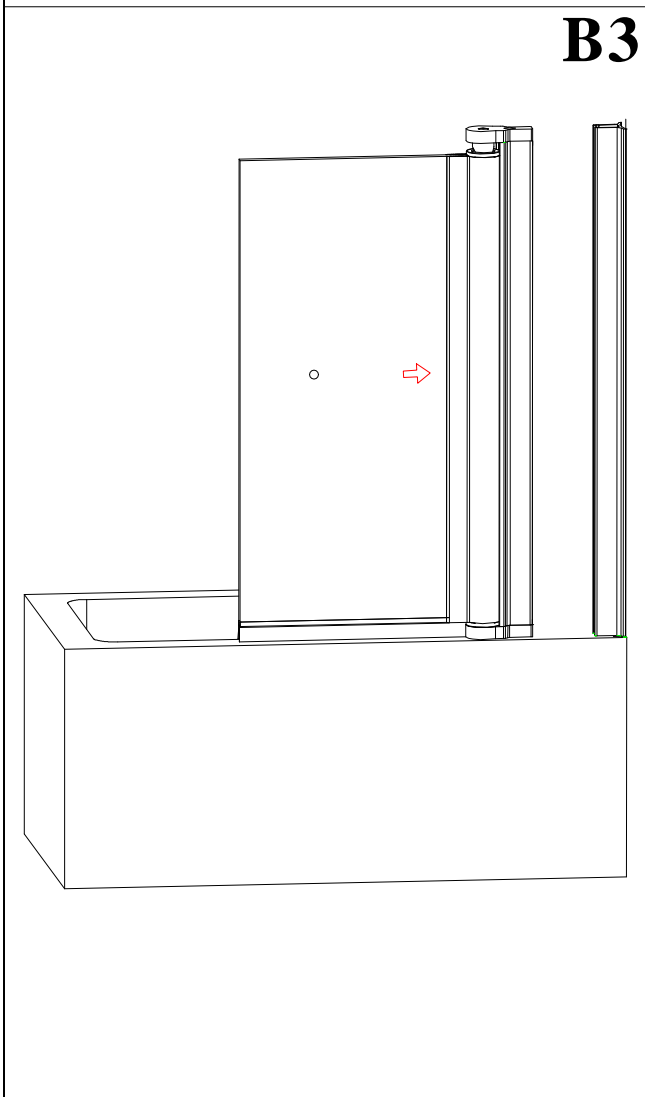
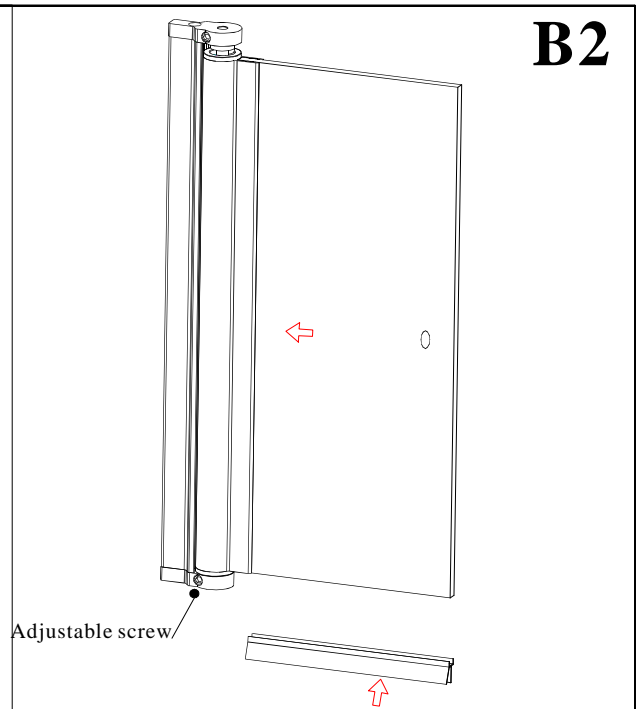
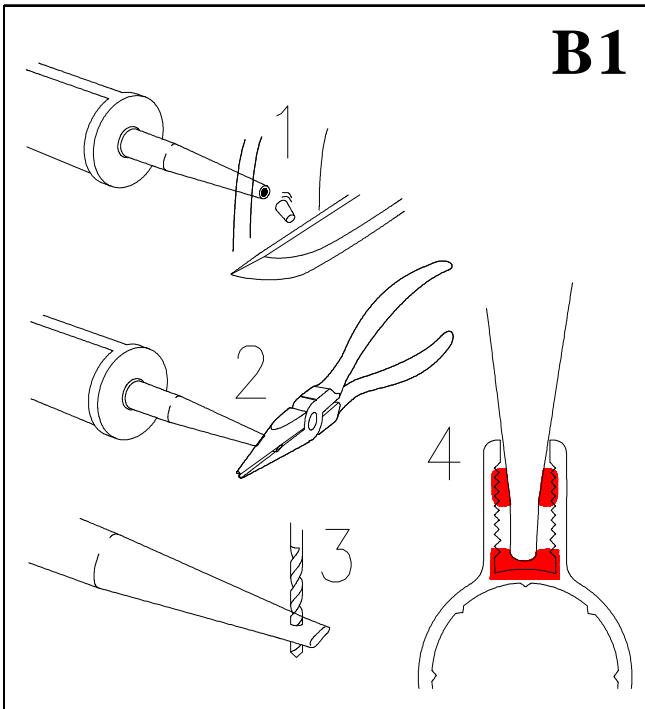
PREPARATION BEFORE INSTALLATION



INSTALLATION STEPS



INSTALLATION STEPS



INSTALLATION STEPS

