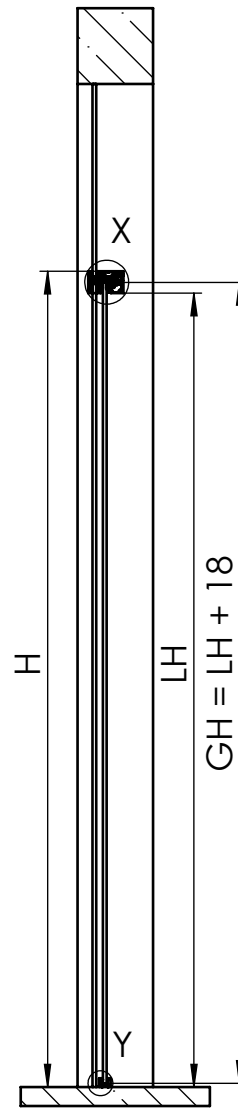
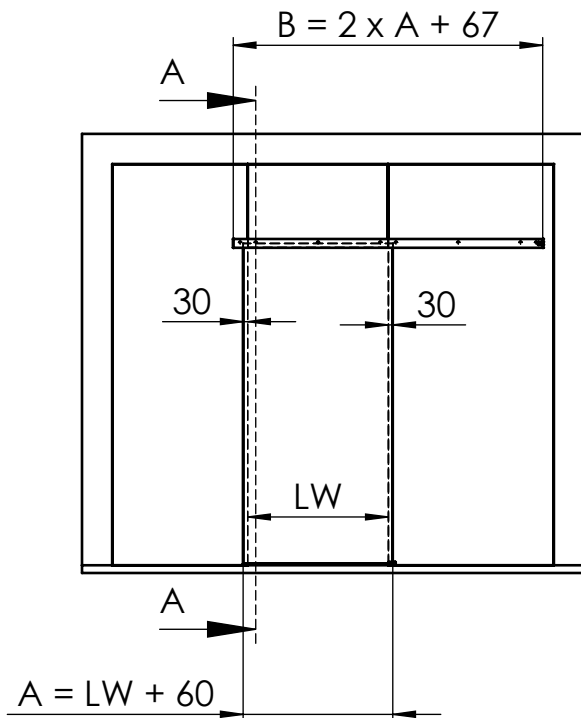


# MUTO Comfort L DORMOTION 80 Montage an Glas

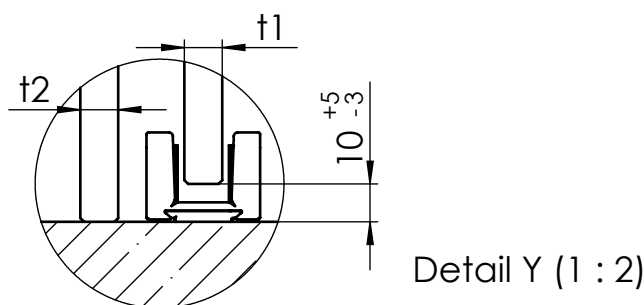
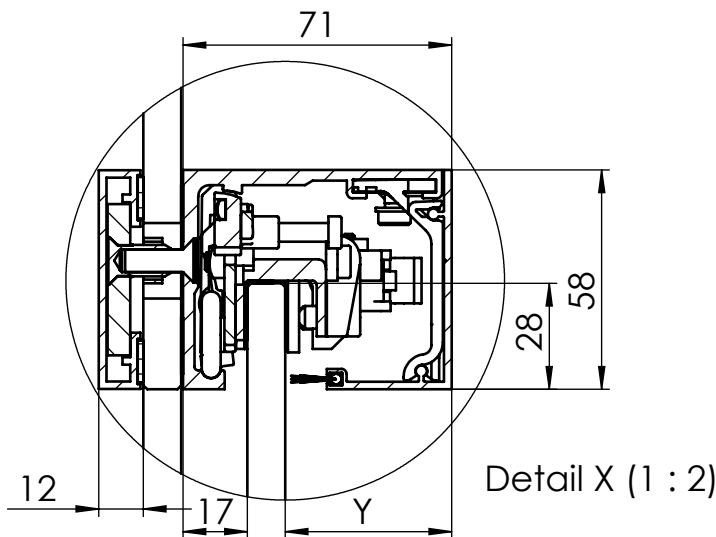


36.304  
36.305  
36.322

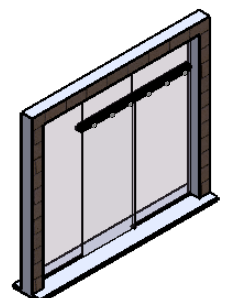


A-A (1 : 20)

max. Flügelbreite:	2000mm
min. Flügelbreite:	990mm
max. Flügelhöhe:	3000mm
max. Flügelgewicht:	80 kg
Glasdicke:	8 - 13,5mm
DORMOTION	optional
getestet nach DIN EN 1527	



A	Flügelbreite
B	Laufschielenlänge
GH	Glashöhe
H	Gesamthöhe
LH	lichte Höhe
LW	lichte Weite
t1	Glasdicke Schiebetür
t2	Glasdicke Seitenteil
Y	71 - 17 - t1

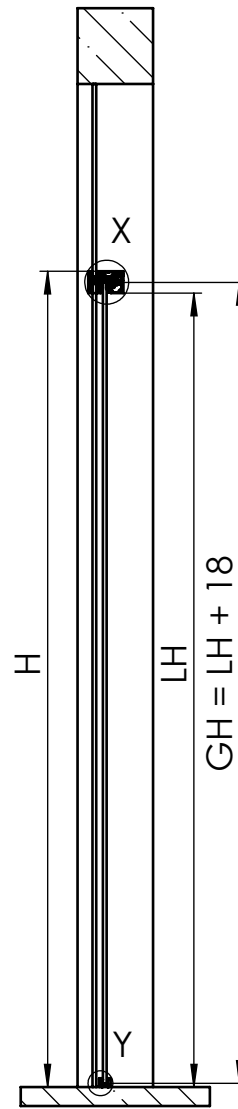
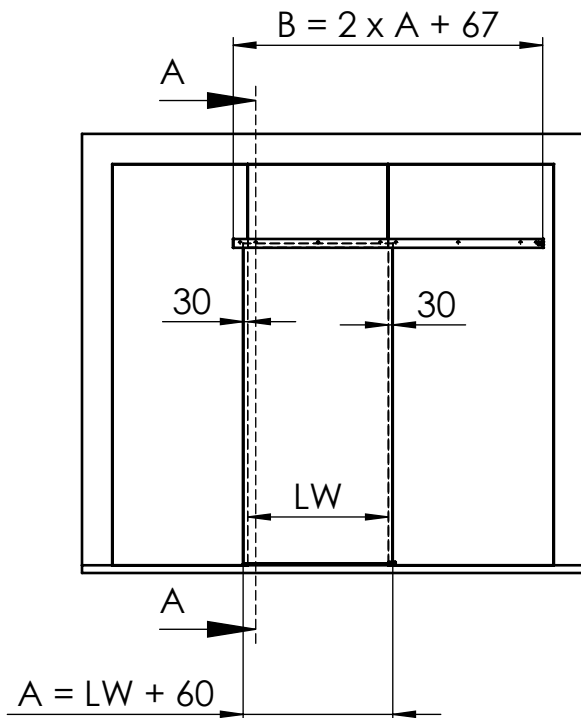


C:\Workspace\EDM1104 Project\Innovation\MUTO COMFORT160\_DAS DETAIL\MUTO COMFORT106\_L DORMOTION 80\MUTO Comfort L DORMOTION 80 fixed at glass.sldprt

# MUTO Comfort L DORMOTION 80 fixed at glass

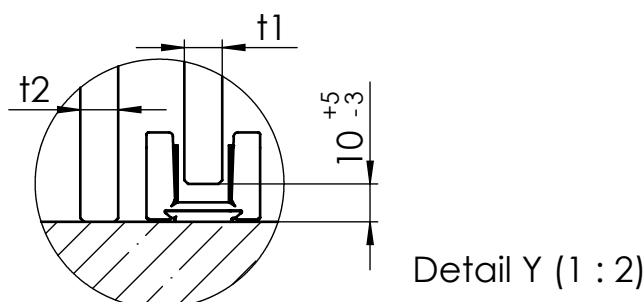
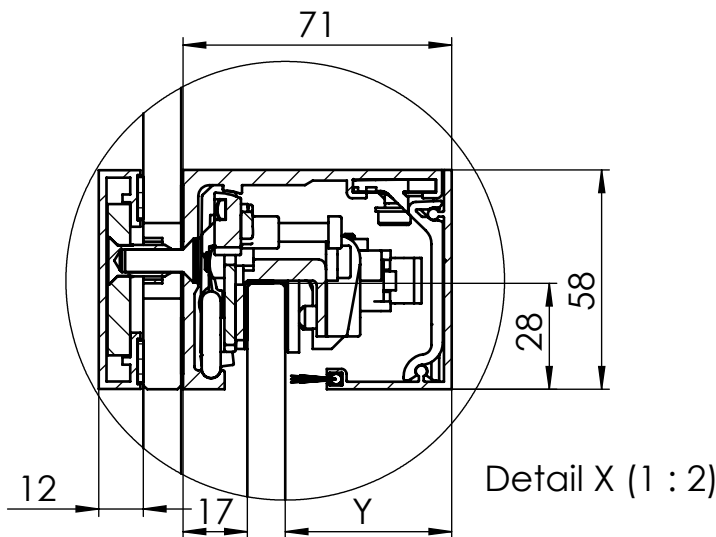


36.304  
36.305  
36.322

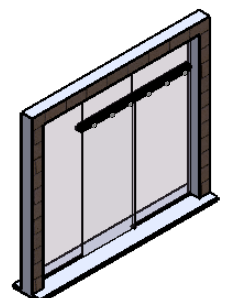


A-A (1 : 20)

max. Door width:	2000mm
min. Door width:	990mm
max. Door height:	3000mm
max. Door weight :	80 kg
Glass thickness:	8 - 13,5mm
DORMOTION subsequent	optional
performed to DIN EN1527	



A	Glass width
B	length of track
GH	Glass height
H	total height
LH	clear opening height
LW	clear opening width
t1	Glass thickness sliding door
t2	Glass thickness sidelight
Y	$71 - 17 - t1$



C:\Workspace\EDM1104 Project\Innovation\MUTO COMFORT160\_DAS DETAIL\MUTO COMFORT106\_L DORMOTION 80\MUTO Comfort L DORMOTION 80 fixed at glass.sldprt