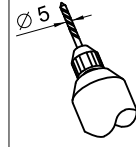
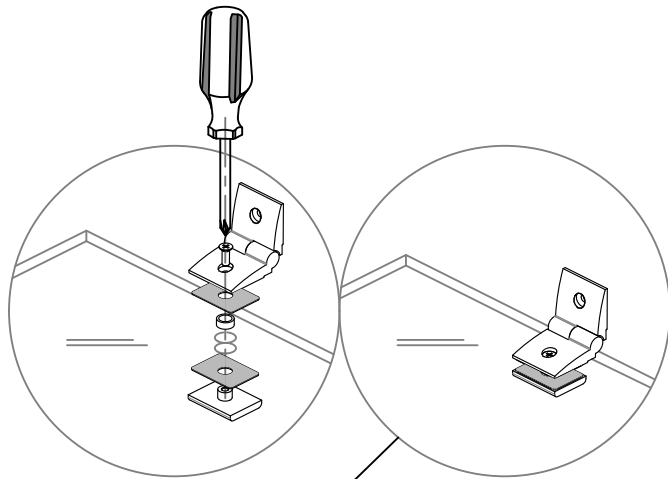


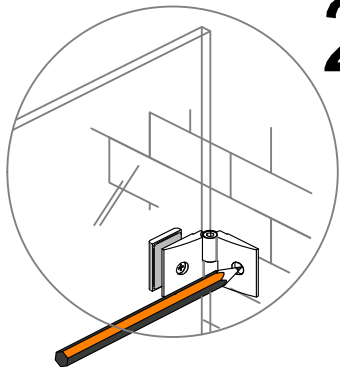
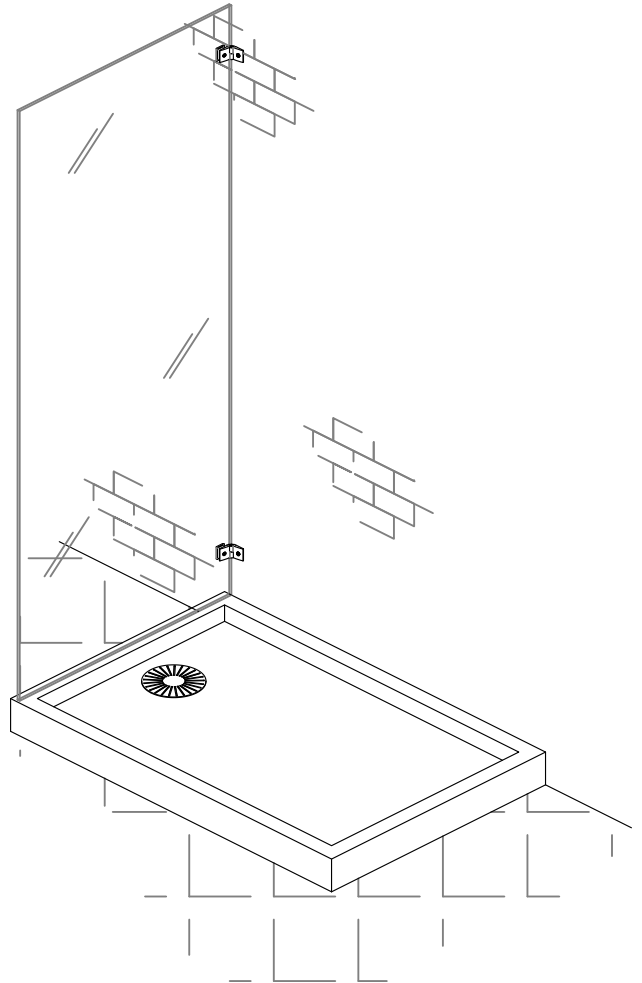
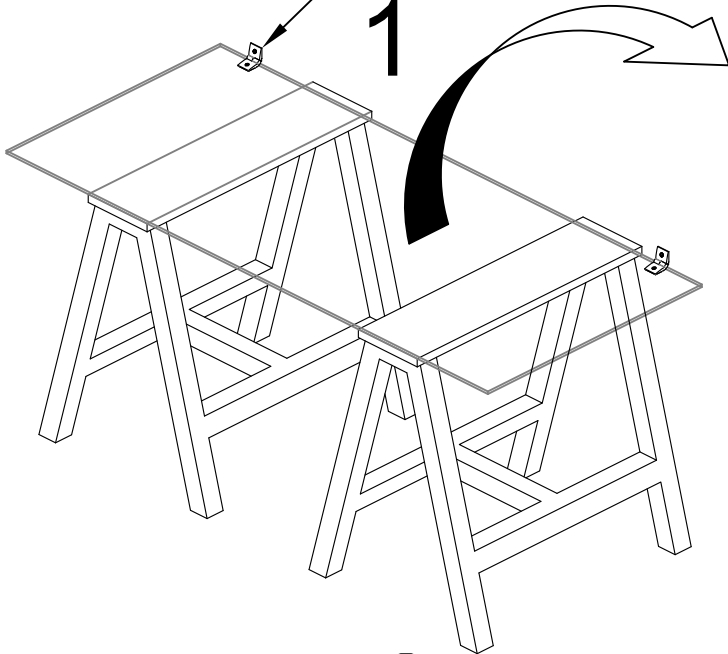
Tools required



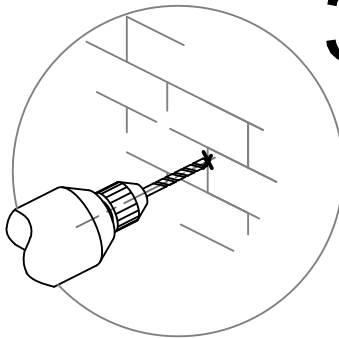
1 x



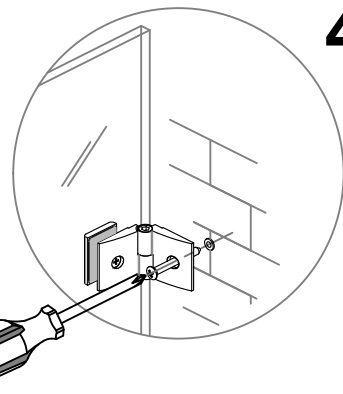
1



2



3



4